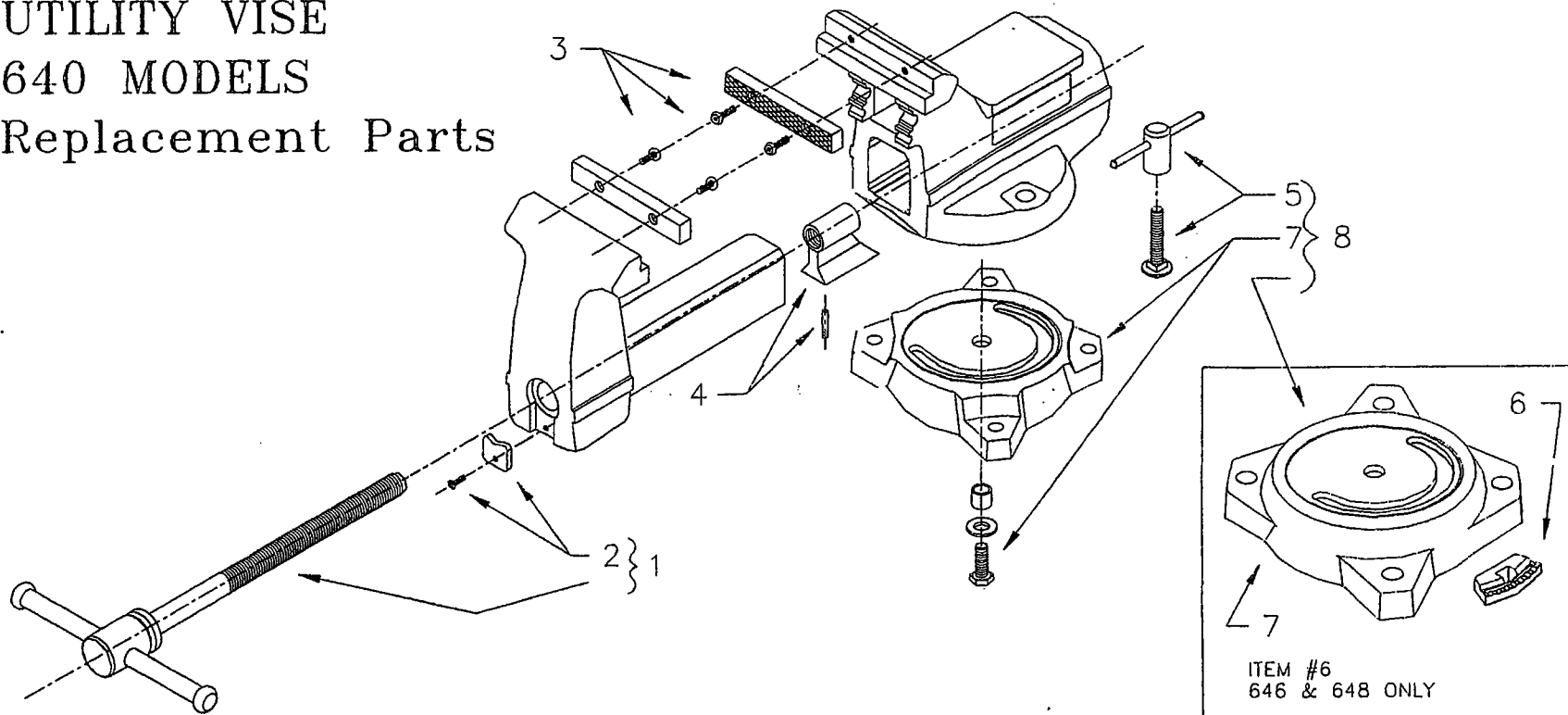


# UTILITY VISE 640 MODELS Replacement Parts



WILTON MODEL NUMBER	MOVEABLE * JAW CASTING NUMBER (FOR REF. ONLY)	ITEM #1 SPINDLE ASSEMBLY WITH (#2)	ITEM #2 SPINDLE RETAINER W/ SCREW	ITEM #3 SERRATED JAW INSERTS W/ SCREWS	ITEM #4 SPINDLE NUT WITH PIN, SOME MODELS	ITEM #5 LOCK NUT AND BOLT ASSEMBLIES	ITEM #6 LOCKING PAD (ONLY 646 & 648)	ITEM #7 OUTER RING ONLY	ITEM #8 SWIVEL BASE ASSEMBLY (#5, #6, & #7)
643 1/2	111098	NOT AVAIL.	2907230	2900650	2907800	NOT AVAIL.	NONE	2907350	NOT AVAIL.
643 1/2	111111	2906000	2907230	2900650	2907800	NOT AVAIL.	NONE	2907350	2906010
644	111107	NOT AVAIL.	2907230	2904040	NOT AVAIL.	2905800	NONE	<del>2906030</del>	2905830
644	111133	NOT AVAIL.	2907230	2904040	NOT AVAIL.	2905800	NONE	2906030	2905830
644	111217	2907030	2907230	2904040	NOT AVAIL.	2905800	NONE	2906030	2905830
645	111102	NOT AVAIL.	2907230	2904110	NOT AVAIL.	2905800	NONE	<del>2906030</del>	2905830
645	111137	NOT AVAIL.	2907230	2904110	NOT AVAIL.	2905800	NONE	2906030	2905830
645	111218	2907040	2907230	2904110	NOT AVAIL.	2905800	NONE	2906030	2905830
646 HD **	111256	2900480	2907230	2907530	NOT AVAIL.	2907540	9040030	2907520	2907560
648 HD <10/2000	111264	2900490	2907230	2904130	<del>2900500</del>	2905540	9040030	2906050	2907480
648A HD >10/2000	111264	2900490	2907230	2908100	<del>2901190</del>	2905540	9040030	2906050	2907480

\* The moveable jaw casting number is used as a reference to aid in the identification of correct parts.

\*\* HD means Heavy Duty.

*(Russ tested)*

2648002

2648002